

Albany Plus™ Technical



2 Gang Switchsocket Outlet with Integrated Dual USB Charging Capability

Standards and approvals

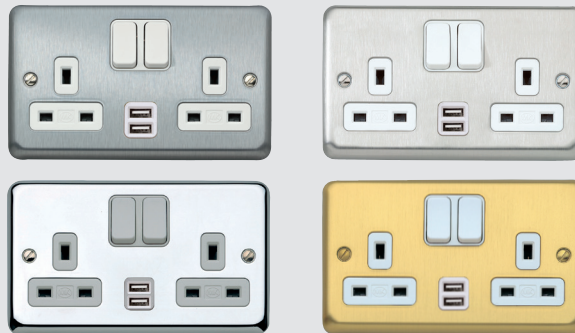
Albany Plus™ 13A socket outlets and 2A USB charging outlets comply with BS 5733 and IEC 61558-2-16.

EMC Compatibility:

IEC 61000-6-1

IEC 61000-6-3

Products are CE marked and meet the requirements of the Low Voltage, EMC, RoHS and WEEE directives.



TECHNICAL SPECIFICATION

13A SOCKET OUTLETS

ELECTRICAL

VOLTAGE RATING

220-240V

CURRENT RATING

13A per socket outlet

Combined total 2A drawn from USB outlets

TERMINAL CAPACITY

Live, neutral & earth

3 x 2.5mm²

3 x 4mm²

2 x 6mm² (stranded)

PHYSICAL

AMBIENT OPERATING TEMPERATURE

-5°C to +40°C

(not to exceed an average of more than 25°C in any 24 hour period)

IP RATING

IP2XD

MAX. INSTALLATION ALTITUDE

2000 metres comply with BS 1362: 1973

Description

A range of socket outlets designed for ease of installation and having all the advantageous design features of the Albany Plus™ range. Dual USB charging outlets offer end users easy access to power for charging a variety of devices such as smart phones, tablets and cameras.

FEATURES

- Moulded 'on' indicator flash on switches will not rub off – totally safe
- 3 pin operated safety shutter on 13A socket outlets
- USB 2.0 and 3.0 compatible
- Can charge a device at up to a full 2A
- If only one device is connected to a USB outlet the total output current of 2A is available from either outlet
- If two devices are connected to USB outlets the the total rated current of 2A is divided between the two outlets
- Differing manufacturers devices can be charged simultaneously via the two USB outlets
- If the total charging current exceeds the rated level of 2A then the device will enter a current limiting safety mode
- Electronically protected against an overload or short circuit on either USB outlet
- USB outlets are designed to provide optimum charging compatibility across a wide range of devices
- Printed terminal markings on grey rear mouldings for clearer identification
- Top access, angled terminals make wiring easier and quicker
- 3mm minimum switch contact gap
- Double pole switching
- Additional electrical safety from neutral 'make first', 'break last' feature
- Switch contacts with silver contacts on both surfaces for good continuity
- Backed out and captive terminal screws
- Dual earthed

Installation

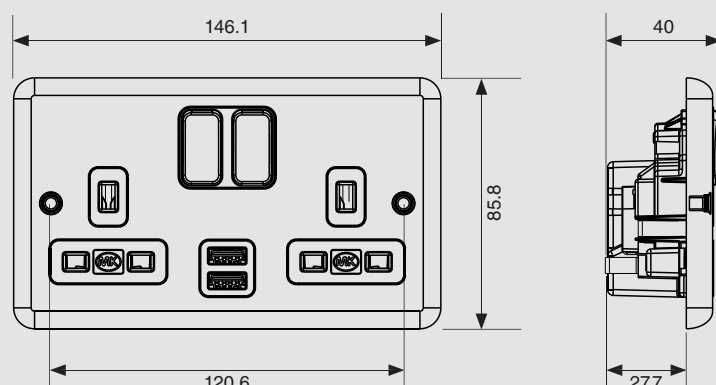
Albany Plus™ socket outlets can be wall or bench mounted.

Do not mount or use as a trailing socket or where they may be subject to excessive moisture or damp.

Cable management

Albany Plus™ socket outlets can be mounted in a variety of MK trunking systems.

Dimensions (mm)



BOX TYPES WITHOUT PATRESS

GANG	FLUSH	SURFACE INSULATED	SURFACE METAL
	DEPTH 35MM	DEPTH 40MM	DEPTH 41MM
2 GANG	886 ZIC	K2172 WHI	K2212ALM / K2214ALM