

# LPIR1 SP103 PIR Detectors



LPIR1U	SP103 PIR Detector, 868.4MHz, UK/UAE
LPIR1S	SP103 PIR Detector, 868.4MHz, Singapore

**Note:** other regions not available

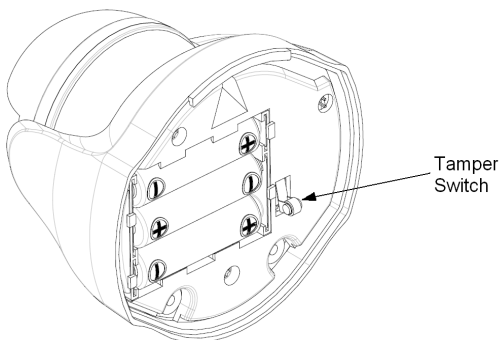
## Features and Benefits

- Up to 50m RF range (open field)
- Can control a group of up to 5 devices
- 12m Range detection range with 100° field of view
- Adjustable time on period
- Battery-powered
- Low battery indicator
- Supplied with batteries and wall fixings
- For indoor use only

## Installation:

**Slide off battery cover and fit batteries as shown below:**

Do not mix old and new batteries or batteries of different types.  
Not suitable for NiMH or NiCd rechargeable batteries.



Tamper Switch

## Operation and Detection:

### Normal Operation:

Operation Mode	24 hour
Time-On period	5 seconds - 12 minutes

### Movement Detection:

Range	6 - 12m
Field of View	100°

## Command Status Indications:

**Movement Indicator:** will not flash on movement detection unless the battery is low or the battery cover is removed.

**Note:** During normal operation there is no indication of command success/failure on the product as with other astral products.

## Program Buttons and Functions:

### Program buttons:

Tamper switch lever behind battery cover

### Program functions:

Not applicable

## Power Supply:

Power Source	Battery
Rated voltage	4.5V
Batteries	3 x 1.5V AAA / LR03
Battery Type	Alkaline <b>Note:</b> Not suitable for NiMH or NiCd rechargeable batteries
Battery Capacity	1200mA or greater
Typical battery life	Up to 1 year. <b>Note:</b> Based on normal operation of 8 events per day and ambient temperature of 20-25°C. Additional operation and lower temperatures will reduce life
Low battery signal	LED behind the lens flashes after movement is detected.

## RF Performance:

### RF operating frequency:

LPIR1U	868.4MHz for use in UK, Ireland, UAE
LPIR1S	868.4MHz for use in Singapore

### RF operating frequency:

RF range	Up to 50m (open field)
Modulation	FM
Radiated power	<1mW

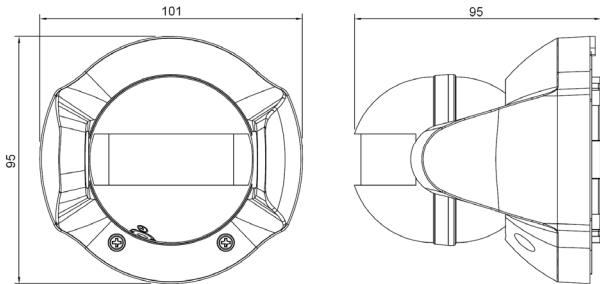
# LPIR1

## SP103 PIR Detectors

### Mechanical and Environmental:

#### Dimensions:

95(h) x 95(w) x 101(d)mm



#### Weight:

185g (excluding batteries)

#### Temperature and Humidity:

Operating	0°C to +40°C
Storage	-20°C to +60°C
Humidity	95% (non condensing)

### Certification and Approvals:

#### Certification:

CE marked	Yes
EU Directives:	LVD, EMC and R&TTE
LVD:	IEC 60950-1
EMC:	ETSI EN 301489-1 / 3
R&TTE:	ETSI EN 300220-1 / 2

#### Local Regional and Other Approvals:

UK, Ireland	none required
UAE	TRA
Zensys:	Z-Wave compliant and interoperable

### Zensys:

#### Z-Wave device type:

- Basic class: Routing Slave
- Generic class: Binary Sensor
- Specific class: Routing Binary Sensor

#### Z-Wave command classes:

- Association, (S)
- Battery, (S)
- Basic, (C)
- Binary sensor, (S)
- Configuration, (S)
- Manufacturer specific, (S)
- Version, (S)
- Wake Up, (S)

Where: S = Supported, C = controlled

#### Associations:

Control modes: Can control a group only  
 No of groups: One  
 No of Associations: 5

**Note:** Associations cannot be made to Channel 2 of astral 2 Gang switches and dimmers.

#### Inclusion:

To include the device from a system press the TAMPER switch under the back cover

#### Exclusion:

To exclude the device from a system press the TAMPER switch under the back cover

#### Association:

To create associations using a controller press the TAMPER switch under the back cover.

#### Disassociation:

To remove associations using a controller press the TAMPER switch under the back cover.

#### SUC/SIS updates:

Periodic and routine update will be requested every 4 hours.  
**Note:** Only available if SUC/SIS in network.

#### Z-Wave compatibility:

astral products are tested and certified as Z-Wave® compliant and are designed to work with other manufacturers Z-wave® compliant and interoperable products. Z-Wave® products of other types and applications can be added to the system and will act as repeaters if they support this functionality. This enables the system to grow and expand to other application areas as your needs develop



**MK Electric**

Website: [www.mkelectric.co.uk](http://www.mkelectric.co.uk)



© Novar ED&S Limited 2009, All rights reserved

50049638 Ed.A