

LIM1, LIM2 Mains Controller



LIM1U	1 Gang Mains Controller, 868.4MHz, UK/UAE
LIM2U	2 Gang Mains Controller, 868.4MHz, UK/UAE
LIM1S	1 Gang Mains Controller, 868.4MHz, Singapore
LIM2S	2 Gang Mains Controller, 868.4MHz, Singapore
LIM1M	1 Gang Mains Controller, 868.1MHz, Malaysia
LIM2M	2 Gang Mains Controller, 868.1MHz, Malaysia
LIM1H	1 Gang Mains Controller, 919.8MHz, Hong Kong
LIM2H	2 Gang Mains Controller, 919.8MHz, Hong Kong
LIM1I	1 Gang Mains Controller, 865.2MHz, India
LIM2I	2 Gang Mains Controller, 865.2MHz, India

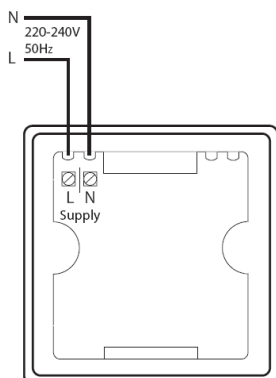
Compatible with astral dimmer fascias (supplied separately)

	LDF21	1 Gang Metal Dimmer Fascia		LDF11	1 Gang Plastic Dimmer Fascia
	LDF22	2 Gang Metal Dimmer Fascia		LDF12	2 Gang Plastic Dimmer Fascia

Features and Benefits

- 1 and 2 Gang versions available
- Up to 75m RF range (open field)
- Can control either a group or scene control
- Can control up to 64 devices in total
- Maximum of 64 devices per control channel
- Mains-powered
- System ALL OFF control
- astral holiday mode control
- Use astral dimmer fascia

Installation:



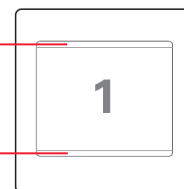
IMPORTANT
The mains supply must be protected by a 10A class B or C MCB

Operation:

Normal Operation:

Short press ON/SET SCENE
Long press DIM UP

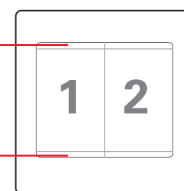
Short press OFF
Long press DIM DOWN



Default Functionality:

System ALL-OFF
Long press

Holiday mode
ON Long press
OFF Short press



Only available if there are no associations on Channel 1

Command Status Indications:

- Flash red 1 time** Device not included in the network
- Flash green 3 times** Command received by all target switches and dimmers
- Flash red 3 times:** At least 1 target device has not confirmed receipt of the command.
- Low Blue** Night locator.
(Visible only in low light level conditions.)

LIM1, LIM2

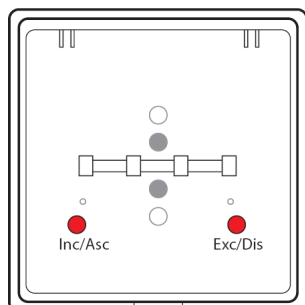
Mains Controller



Program Buttons and Functions:

Program buttons:

Located on front of module beneath fascia



Program functions:

Replicate receive	Controller ID
Group/Scene control select	NVM reset
Delete group/scene	Update request to SUC/SIS

Power Supply:

Power Source:	Mains
Rated voltage:	220 - 240Vac / 50Hz
Power Consumption:	<1W in standby

RF Performance:

RF operating frequency:

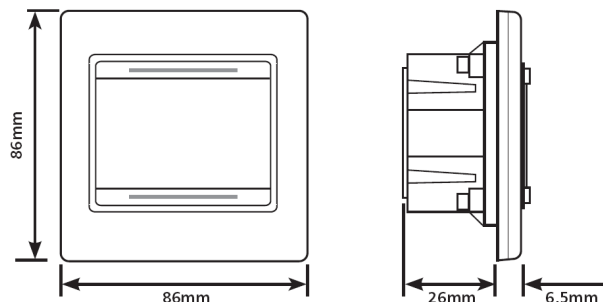
LIM1U, LIM2U	868.4MHz for use in UK, Ireland, UAE
LIM1S, LIM2S	868.4MHz for use in Singapore
LIM1M, LIM2M	868.1MHz for use in Malaysia
LIM1H, LIM2H	919.8MHz for use in Hong Kong
LIM1I, LIM2I	865.2MHz for use in India

RF range	Up to 75m (open field)
Modulation	FM
Radiated power	<1mW

Mechanical and Environmental:

Dimensions:

with metal fascia	86(h) x 86(w) x 32(d)mm
with plastic fascia	86(h) x 86(w) x 34.5(d)mm
Wall box depth	35mm (min)



* Shown with metal fascia. Plastic fascia is 2.5mm deeper

Weights:

1 Gang Controller	75g
2 Gang Controller	76g
Metal Fascia	54g
Plastic Fascia	30g

Temperature and Humidity:

Operating	0°C to +45°C
Storage	-20°C to +60°C
Humidity	95% (non condensing)

Certification and Approvals:

Certification:

CE marked	Yes
EU Directives:	LVD, EMC and R&TTE
LVD:	(BS) EN 60950-1 (MS) IEC 60950-1
EMC:	(BS) EN 61000-6-1 / 3 (MS) IEC 61000-6-1 / 3 ETSI EN 301489-1 / 2
R&TTE:	ETSI EN 300220-1 / 2

Local Regional and Other Approvals:

UK, Ireland	none required
UAE	TRA
Singapore	IDA
Malaysia	CMST
Hong Kong	None required
India	None required
Zensys:	Z-Wave compliant and interoperable

LIM1, LIM2

Mains Controller



Zensys:

Z-Wave device type:

- Basic class: Static controller
- Generic class: Remote switch
- Specific class: Not Used

Z-Wave command classes:

- All switch, (C)
- Association, (S)
- Basic, (C)
- Indicator, (S)
- Manufacturer specific, (S/C)
- Multi-channel, (C)
- Multi-channel association, (S)
- Multi-level switch, (C)
- Version, (S)

Where: S = Supported, C = controlled

Associations:

- Control modes: Can be configured for group or scene control
- No of groups/scenes: One per channel
- No of Associations: 64

Note: The device can support associations to up to 64 other devices in total. Each channel may be associated to a maximum of 64 end points from the 64 devices.

Inclusion:

To include device into another system press any operation button

Exclusion:

To exclude device from a system press Exc button twice in 1s

Association:

To create associations using another controller press normal operation button/rocker of required channel.

Disassociation:

To remove associations using another controller press normal operation button/rocker of required channel.

Replicate receive:

To activate device's replicate receive mode press Inc and Asc buttons for 2s, (only if device is a secondary controller).

SUC/SIS updates:

Periodic and routine update will be requested every:

- 24 operations on 1 Gang Products
- 36 operations on 2 Gang Products
- To initiate a manual wake-up and update request press Exc/Dis

Note: Only available if SUC/SIS in network.

Response to indicator request:

On receipt of an indicator request command from another Z-Wave device each channel status indicator will illuminate green for 1s in a continuous sequence for 30s.

Z-Wave compatibility:

MK astral™ products are tested and certified as Z-Wave® compliant and are designed to work with other manufacturers Z-wave® compliant and interoperable products. Z-Wave® products of other types and applications can be added to the system and will act as repeaters if they support this functionality. This enables the system to grow and expand to other application areas as your needs develop



MK Electric

Website: www.mkelectric.co.uk



© Novar ED&S Limited 2010, All rights reserved

50042516_C