

## Trunking

### TECHNICAL SPECIFICATION

#### MATERIALS

PVCu materials used in the manufacture of MK products are self extinguishing non-flame propagating in accordance with BS 4678 Part 4.

Extrusion material has been tested by a UKAS accredited laboratory in accordance with the requirements of BS 476 Part 7 and has achieved a Class 1Y.

Moulding material has been tested by a UKAS accredited laboratory and conforms with IEC 695-2-1 at a severity of 650°C

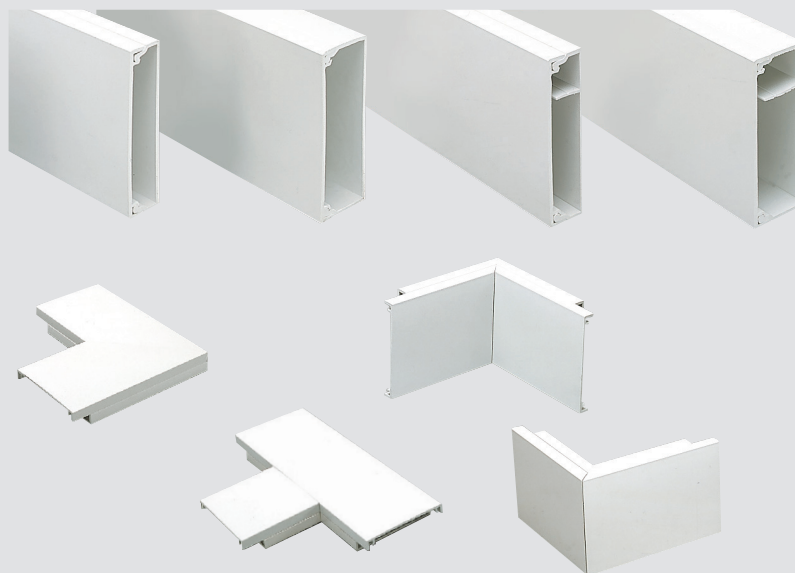
#### IET WIRING REGULATIONS

Designed and manufactured to comply in all respects with BS 7671:2008 (IET Wiring Regulations 17th Edition: 2008)

#### QUALITY ASSURANCE

The system is manufactured to BS EN ISO 9001

Classifications to BS EN 50085-1:2005 and BS EN 50085-2-1:2006 available on request



### FEATURES

- 2 sizes with one or two compartments
- Easy to add sockets and outlets once installed
- Wall or ceiling mounting possible
- Wide range of integrated components maximises versatility of application
- Unobtrusive and neat
- Easy to assemble and install
- Durable and impact resistant to Heavy Classification BS 4678 Part 4
- All extrusions manufactured from 100% recycled material\*

### Description

Norwich trunking is available in two depths with one or two compartments for wall or ceiling mounting.

The standard version is 40mm deep with a 25mm deep option, where lack of space makes the projection critical. Accessory mounting frames are located within the trunking, providing a visually co-ordinated system with the facility to relocate and extend accessory outlet positions as required.

The system is widely used in schools, offices and commercial installations because of its durability and the ability to retrofit extra sockets and outlets as required.

**Material:** PVCu    **Colour:** White only

\* Based on 2014 consumption

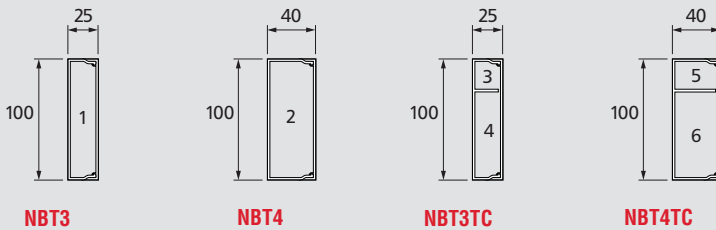


Technical Hotline  
+44 (0)1268 563720

# Norwich Technical

## Trunking

### Dimensions (mm)



PREMIER CABLE CAPACITY														
TYPE OF CONDUCTOR	SIZE	CABLE FACTOR	NBT3 (1)	NBT3TC (3)	NBT3TC (4)	NBT4 (2)	NBT4TC (5)	NBT4TC (6)						
			Full Term CSA 100% Fill (MM <sup>2</sup> )											
			1805	384	1383	3230	706	2455						
TERM AT 45% FILL (MM <sup>2</sup> )														
			812	172	622	1453	317	1104						
POWER CABLES			NUMBER OF CABLES AT 45% FILL											
PVC stranded	1.5mm <sup>2</sup>	8.6	94	20	72	168	36	128						
	2.5mm <sup>2</sup>	12.6	64	13	49	115	25	87						
	4mm <sup>2</sup>	16.6	48	10	37	87	19	66						
	6mm <sup>2</sup>	21.2	38	8	29	68	14	52						
DATA CABLES			NUMBER OF CABLES AT 45% FILL (A) AND FULL CAPACITY (B)											
			A	B	A	B	A	B	A	B	A	B		
Cat 5E UTP	5.5mm dia.	30.2	26	59	5	12	20	45	48	106	10	23	36	81
Cat 5E STP	6.0mm dia.	36.0	22	50	4	10	17	38	40	89	8	19	30	68
Cat 6 UTP	6.5mm dia.	42.2	19	42	4	9	14	32	34	76	7	16	26	58
Cat 6 STP	7.0mm dia.	49.0	16	36	3	7	12	28	29	65	6	14	22	50

Note: NBT3 & NBT3TC are not deemed suitable for terminating Cat6 cabling.

### Components

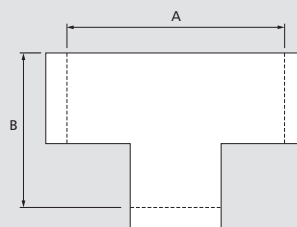
The four components shown opposite are fabricated sections and space must be allowed for inclusion in runs of trunking. All other components snap on over standard trunking profiles.

LIST NO.	COMPONENT DIMENSIONS			
	A	B	C	D
NBT3	240	170	125	125
NBT4	240	170	140	140

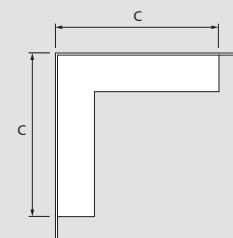
The four components shown below are fabricated sections and space must be allowed for inclusion in runs of trunking.

All other components snap on over standard trunking profiles.

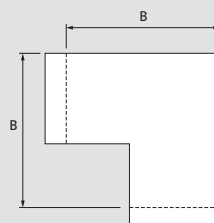
#### FLAT TEE



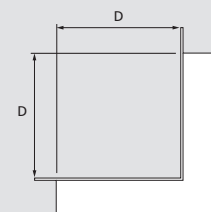
#### EXTERNAL CORNER



#### FLAT ANGLE



#### INTERNAL CORNER



## Trunking

### Installation Guide

#### General notes

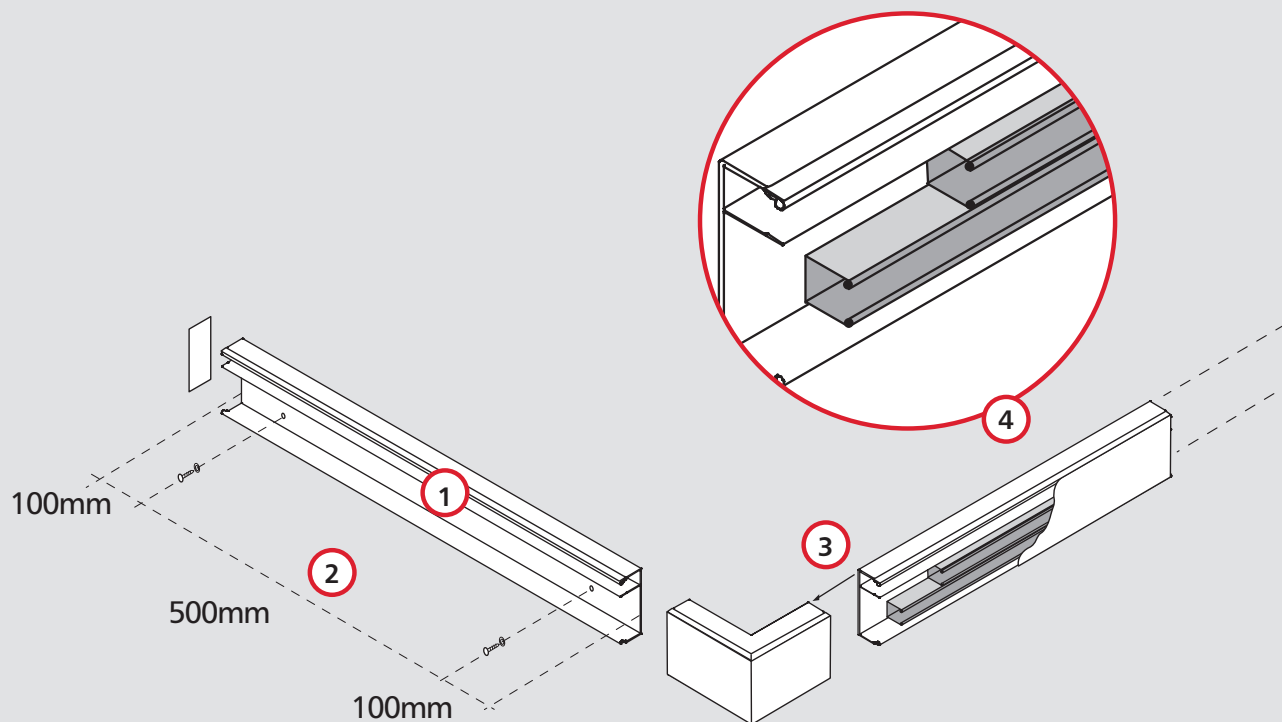
Prior to installation strike a line of trunking using a plumb and chalk line for vertical, and spirit levels for horizontal runs.

#### Fixing

- ① Cut and fix the continuous carrier at not more than 500mm centres along its entire length and not more than 100mm from the end of a run, and at intersection with other systems.
- ② Locate and secure, with a minimum of two screws, the carrier for flat angles, external angles, internal angles and flat tees.
- ③ Close butt to the carrier using internal couplers – see 5.

#### Cable segregation

- ④ Further segregation within the single or two compartment trunking can be achieved during or following the installation by inserting the appropriate size of Mini-trunking sections. Fit the socket insertion units, install the conductors and cable runs and draw the conductors through. Fix the clip on cover using the back up couplers at the intersections.
- ⑤ The couplers can also serve as cable retaining straps prior to the cover being fitted. Stagger the joints in the cover with the joints in the carrier and offset by 50mm. Bond the end stop to the main trunking using Egaweld PLUS solvent weld



## Trunking

### Junction with Mini-trunking

- ⑥ Locate the position of the junction. Drill the carrier with the correct sized hole to accommodate the number of cables required. Position the correct UEA/-adaptor using a short length of compatible Mini-trunking as a guide.

The trunking should stop 6mm from the face of the Norwich trunking to allow the adaptor to fit tight. Bond the adaptor to the Norwich trunking using Egaweld PLUS solvent weld

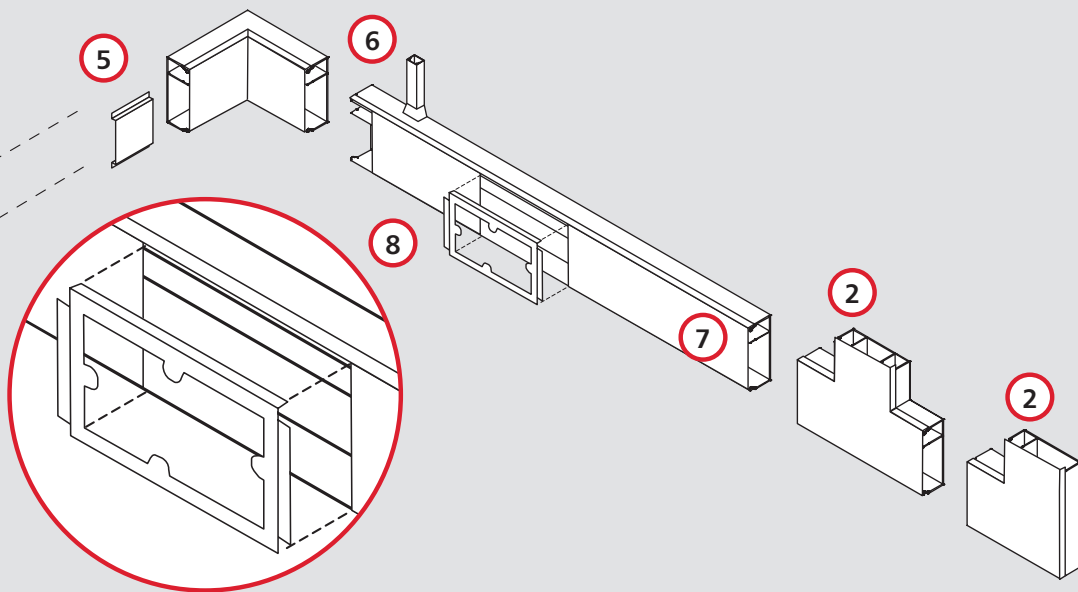
Remove the temporary trunking guide and proceed with the installation.

### Cover

- ⑦ Covers simply clip onto base.

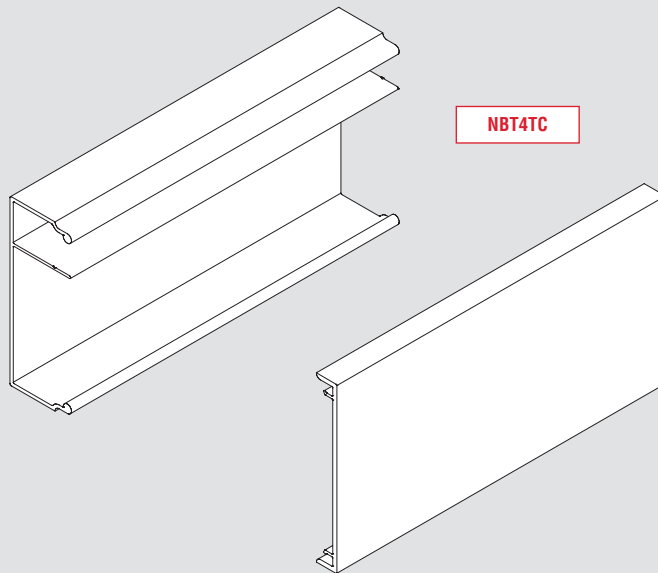
### Accessories

- ⑧ The 'clip on' accessory mounting frames will accept most standard one and two gang socket plates and socket mounting with back box enables telephone circuitry to be segregated from other services.



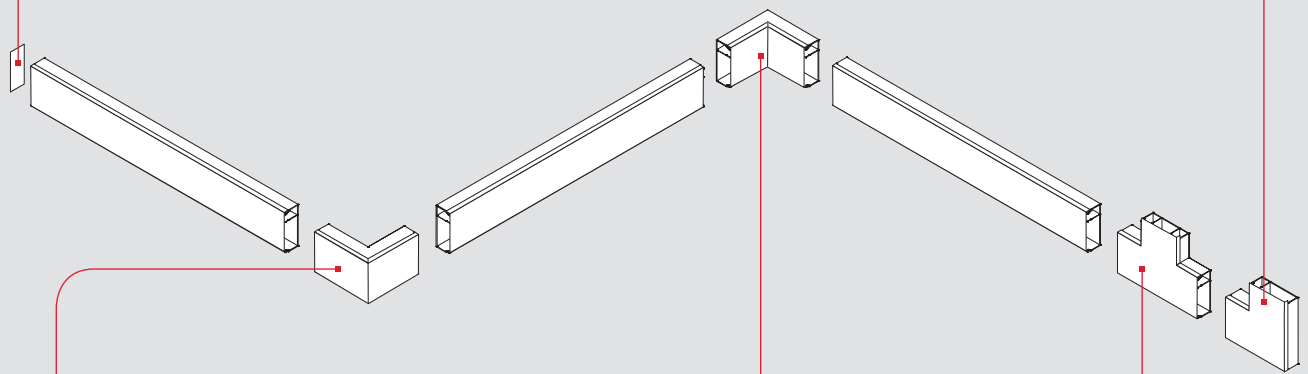
## Trunking

### Component Selection Guide



PROFILE	END CAP
100 x 25mm (NBT3 & NBT3TC)	NEP3
100 x 40mm (NBT4 & NBT4TC)	NEP4

PROFILE	FLAT ANGLE
<b>SINGLE</b>	
100 x 25mm (NBT3)	NAF3
100 x 40mm (NBT4)	NAF4
<b>TWIN – COMPARTMENT TO OUTSIDE</b>	
100 x 25mm (NBT3TC)	NAF3TC
100 x 40mm (NBT4TC)	NAF4TC
<b>TWIN – COMPARTMENT TO INSIDE</b>	
100 x 25mm (NBT3TC)	NAF3TCSI
100 x 40mm (NBT4TC)	NAF4TCSI



PROFILE	EXT CORNER
100 x 25mm (NBT3)	NAE3
100 x 40mm (NBT4)	NAE4
100 x 25mm (NBT3TC)	NAE3TC
100 x 40mm (NBT4TC)	NAE4TC

PROFILE	INT CORNER
100 x 25mm (NBT3)	NAI3
100 x 40mm (NBT4)	NAI4
100 x 25mm (NBT3TC)	NAI3TC
100 x 40mm (NBT4TC)	NAI4TC

PROFILE	FLAT TEE
100 x 25mm (NBT3)	NTF3
100 x 40mm (NBT4)	NTF4
100 x 25mm (NBT3TC)	NTF3TC
100 x 40mm (NBT4TC)	NTF4TC