

Ega Cornice Technical

Cornice Trunking

TECHNICAL SPECIFICATION

MATERIALS

PVCu materials used in the manufacture of MK products are self extinguishing non-flame propagating in accordance with BS 4678 Part 4.

Extrusion material has been tested by a UKAS accredited laboratory in accordance with the requirements of BS 476 Part 7 and has achieved a Class 1Y.

Moulding material has been tested by a UKAS accredited laboratory and conforms with IEC 695-2-1 at a severity of 650°C

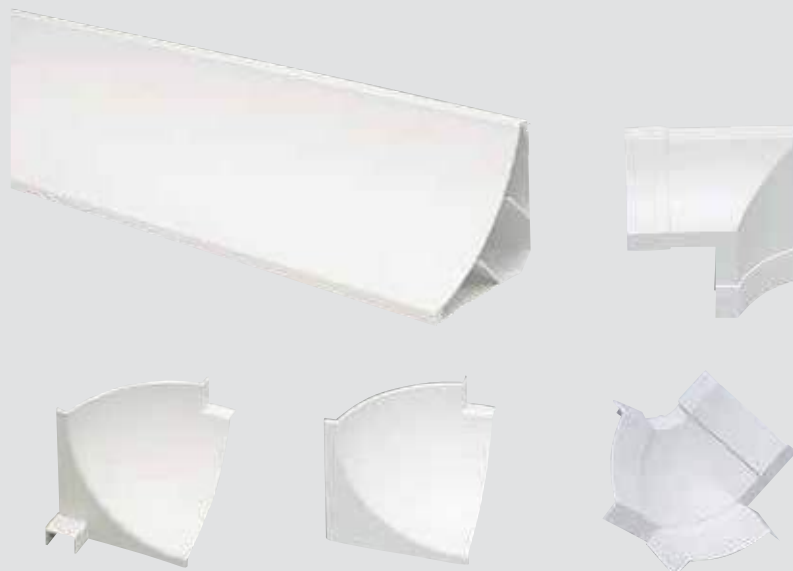
IET WIRING REGULATIONS

Designed and manufactured to comply in all respects with BS 7671:2008 (IET Wiring Regulations 17th Edition: 2008)

QUALITY ASSURANCE

The system is manufactured to BS EN ISO 9001

Classifications to BS EN 50085-1:2005 and BS EN 50085-2-1:2006 available on request



Features

- Two trunking profiles
- Wide range of integrated components maximises versatility of application
- Fully compatible with Ega Mini Trunking systems
- Neat and unobtrusive
- Accessories designed to overlap edge of trunking cover, hiding joint line
- Easy to assemble and install
- Durable and impact resistant to Medium Classification BS 4678 Part 4
- All extrusions manufactured from 100% recycled material*

Description

Ega Standard and Compact Cornice Trunking Systems are manufactured from PVCu. They are designed to be mounted on interior surfaces, at the interface of wall and ceiling for the protection of electrical cables.

Standard trunking consists of a base, containing three separate compartments, and a common cover. Compact trunking has a single compartment.

Both types are compatible with Ega Mini Trunking.

The smaller, single compartment trunking is ideal for domestic rewire, whereas the larger three compartment trunking is best suited to commercial and sheltered housing applications.

Various types of services can be accommodated, such as mains wiring, lighting circuits, alarm warden call systems and data.

The system is available in a standard white colour.

* Based on 2014 consumption

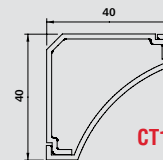
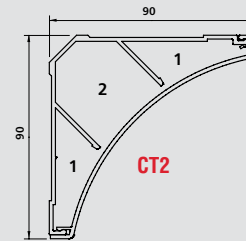


Technical Hotline
+44 (0)1268 563720

Ega Cornice Technical

EGA CORNICE CABLE CAPACITY			CT1	CT2 CMPT 1	CT2 CMPT 2			
TYPE OF CONDUCTOR	SIZE	CABLE FACTOR	Full Term CSA 100% Fill (mm ²)					
			755	636	1441			
			Term at 45% Fill (mm ²)					
			339	286	648			
Power Cables			Number of Cables at 45% Fill					
PVC Stranded	1.5mm ²	8.6	39	33	75			
	2.5mm ²	12.6	26	22	51			
	4mm ²	16.6	20	17	39			
	6mm ²	21.2	15	13	30			
Data Cables			No. of Cables at 45% Fill (a) and Full Capacity (b)					
			a	b	a	b	a	b
Cat5E UTP	5.5mm dia.	30.2	11	25	9	21	21	47
Cat5E STP	6.0mm dia.	36.0	9	20	7	17	18	40
Cat6 UTP	6.5mm dia.	42.2	8	17	6	15	15	34
Cat6 STP	7.0mm dia.	49.0	6	15	5	12	13	29

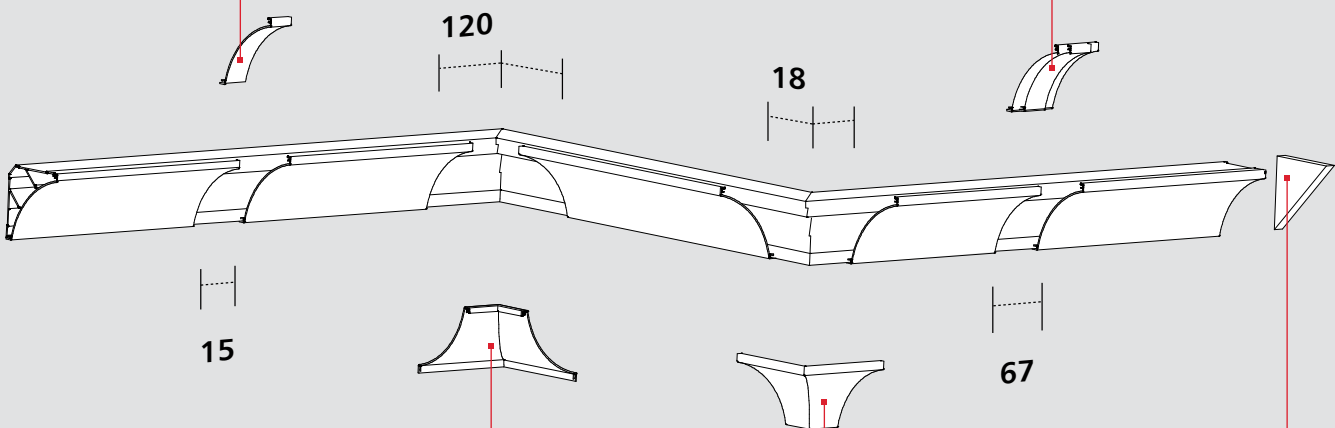
Dimensions (mm)



Component Selection Guide (dimensions in mm)

PROFILE	JOINT COVER
40 x 40mm (CT1)	CJC1
90 x 90mm (CT2)	CJC2

PROFILE	MINI TRUNKING ADAPTOR
40 x 40mm (CT1)	CA1
90 x 90mm (CT2)	CA2



PROFILE	INT CORNER
40 x 40mm (CT1)	CIP1
90 x 90mm (CT2)	CIP2

PROFILE	EXT CORNER
40 x 40mm (CT1)	CXP1
90 x 90mm (CT2)	CXP2

PROFILE	END CAP
40 x 40mm (CT1)	CEP1
90 x 90mm (CT2)	CEP2

Ega Cornice Technical

Cornice Trunking

Installation Guide

General notes

Prior to installation strike a line of trunking using a plumb and chalk line for vertical, and spirit levels for horizontal runs.

① Installation

- a Separate the cover from the backing. Measure the walls and cut trunking base to length making due allowance for external corner mitres. Fix base to wall/ceiling using woodscrews or bolts, with large washers. Oversized holes must be drilled to allow for expansion.
- b The base should be fixed to both wall and ceiling at 500mm intervals giving a staggered arrangement

② Spurs

- a Spurs from the main Cornice trunking across ceilings or down walls are made using a Mini Trunking Adaptor (CA1 for Compact or CA2 for Standard) in conjunction with the appropriately sized Mini Trunking spout adaptor.
- b In Standard Cornice, the cable retaining strap enables cables to be segregated from other services used in conjunction with a mini trunking adaptor. A hole of 25mm or less must be drilled and the cable should be looped through the aperture as shown. A cable retaining strap is also available for Compact Cornice.

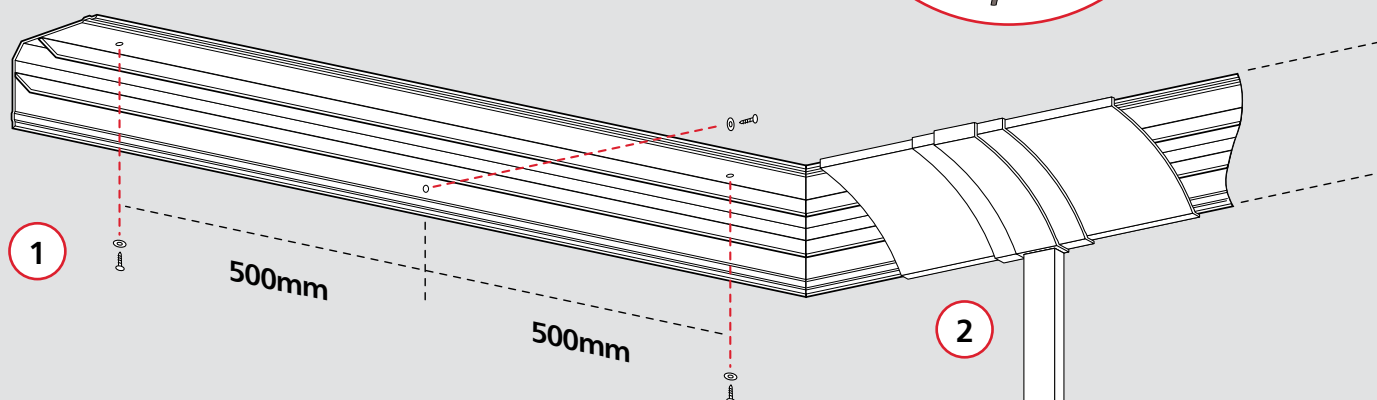
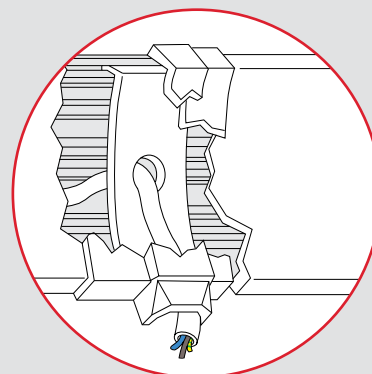
Locate ceiling and wall spur then mark base to indicate the

end of the lid run. Fit Ega Mini Trunking as appropriate using the relevant Mini Trunking spout adaptor (YEA). Install wiring using retaining strap(s) as necessary.

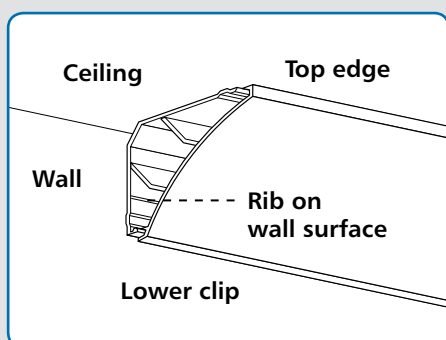
③ Corners and Accessories

- a Mitre base to ensure moulded accessories fit. Cut lid square having made suitable allowance for the width of the accessories and the overlap required to fit under joint covers.
- b All fittings clip onto an exposed section of the trunking base. Allow suitable gaps in trunking lid.

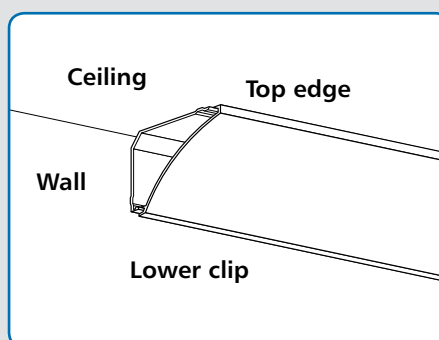
Mark the base with position and width of the accessories and cut the lid the appropriate length, taking due notice of the gap allowances. (Standard Cornice shown).



Standard Cornice



Compact Cornice



Ega Cornice Technical

4 Covers

Installation – Locate the top edge, adjacent to the ceiling, with upper back clip.

The lower clip is then fitted by exerting pressure against the front face, pushing towards the wall (Standard Cornice Shown).

Removal – Gain access to the interior of the trunking. Remove one of the accessory mouldings and carefully insert screwdriver, under the top edge and lever forward so as to disengage clip.

In restricted spaces, engage a hook behind the ceiling edge of the cover, and pull forward to disengage.

The lower clip is then disengaged in the same way.

Notes

Jointing – Where gaps occur, a gap of 5mm must be left between base sections to allow for expansion. The cover must overlap this joint by a minimum of 50mm.

Finishing – In circumstances where the wall or ceiling is uneven, a flexible sealer or mastic can be used to fill any gaps which occur along the edge of the trunking. Relief finishes, such as Artex, must be smoothed down with a spatula, for a width of 25mm minimum, along the line of the trunking in order to enable cover removal.

